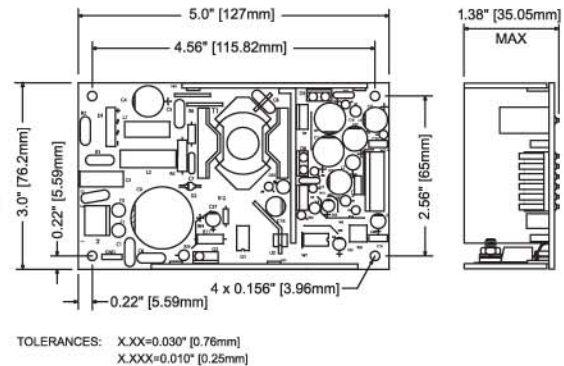


# MSM 40A/B/D Series

## 40 Watt Medical Grade Power Supply

- Wide Range AC Input
- Multiple Regulated DC Outputs
- High Efficiency
- Outputs Floating
- Medical Grade Approval
- 5 Year Warranty



### SPECIFICATIONS

#### INPUT

Voltage	85 - 264 VAC		
Current	1.3 Amp @ 120 VAC		
Frequency	47 - 63 Hz		
Max. Earth	Test Voltage	Normal	Single
Leakage current	132 VAC 60 Hz	25 uA	35 uA
	264 VAC 60 Hz	40 uA	60 uA

#### OUTPUT

Total regulation	< +/- 5% (Each output)		
Set point accuracy	< +/- 3% at 60% load		
Hold up time	20 ms min at full load, 115 VAC		
Transient response	2 ms for 50% to 100% load change		
Over voltage protection	Built-in		
Over current protection	Built-in		
Short circuit protection	Pulsing mode, auto recovery		
Ripple/noise (V <sub>p-p</sub> )	0.5% RMS, +/- 1% PK - PK (20 MHz bandwidth)		

PINOUT	1	2	3	4	5	6
Input P1	AC Line	-	AC Neutral	N/A	N/A	N/A
Output P2	V2	V1	V1	Com	Com	V3

#### ENVIRONMENTAL

Operating temperature	0° C to 50° C
Storage temperature	-55° C to 85° C
Weight	0.55 lbs

#### SAFETY

cRUus  
 UL 60601-1  
 CSA C22.2 No.601.1-M90  
 CB per IEC 60601-1  
 CE marked to LVD  
 Class I

#### EMI/EMC

Emissions	CISPR11 and FCC Part 15, Class B. EN61000-3-2, -3
Immunity	EN61000-4-2, -3, -4, -5, -6, -8, -11

Model No	Power	V1	I1	V2	I2	V3	I3	Efficiency @ 115VAC (Typ)
MSM40A	40W	5.1V	4A	12V	2A	-12V	0.4A	70%
MSM40B	40W	5.1V	4A	15V	2A	-15V	0.4A	70%
MSM40D	40W	5.1V	4A	24V	1A	-12V	0.4A	70%

#### Input and Output Connections

Input connector (P1) = AMP p/n 640445-3 or equivalent  
 Input mating connector = AMP p/n 640250-3 or equivalent  
 Output connector (P2) = AMP p/n 640445-6 or equivalent  
 Output mating connector = AMP p/n 640250-6 or equivalent  
 Mating connector contacts = AMP p/n 770476-1 or equivalent  
 Input P1 GND 0.25" FASTON TAB